

HCMOS/TTL COMPATIBLE VOLTAGE CONTROLLED CRYSTAL OSCILLATOR



7.0 x 5.0 x 1.6 mm

ASVV



FEATURES:

- Low profile (1.6) SMD VCXO
- Tristate functions
- Seam sealed
- HCMOS/TTL output
- Suitable for IR reflow

APPLICATIONS:

- Phase locked loops (PLLs)
- Synthesizers
- Clock Recover, Digital Transmission device
- Digital set-up box
- Computers; Test Equipment

STANDARD SPECIFICATIONS:

PARAMETERS

ABRACON P/N	ASVV Series
Frequency Range	1.000 MHz to 200.00 MHz
Operating Temperature	0°C to + 70°C (See options)
Storage Temperature	-45°C to +90°C
Overall frequency stability	± 50ppm max. (See options)
Supply voltage (Vdd)	3.3 Vdc ± 5%
Input Current	15mA max. For 1MHz to 24MHz 30mA max. For 24.01MHz to 96MHz 40mA max. For 96.01MHz to 200MHz
Symmetry	40/60 % max. @ 1/2Vdd (see options)
Rise and fall time (Tr/Tf)	10ns max.
Output Load	30pF/5TTL max.
Output Voltage	VOH = 0.9 * Vdd min.; VOL = 0.1 * Vdd max.
Control Voltage (Vc)	1.65Vdc ± 1.5V (see options)
Pulling	± 80 ppm minimum (see options)
Start-up time	10 ms max.
Tri-state function	"1" (VIH >= 2.2 Vdc) or open: Oscillation "0" (VIL < 0.8 Vdc) : Hi Z
Period jitter (Peak to Peak)	±30ps typical (Period Jitter vary with frequencies)
Linearity	±10% max.

OPTIONS & PART IDENTIFICATION:

(Left blank if standard)

ASVV-Frequency - □□□ - □ - □□□ - □

Symmetry		Pulling		Packaging	
S	45/55% at 1/2Vdd	*N152	±150 ppm min. 0.15V to 3.15V	T	Tape and Reel (1K/reel)
		N122	±120 ppm min. 0.15V to 3.15V		
		N102	±100 ppm min. 0.15V to 3.15V		

* Standard distributor part number option.

Operating Temperature	Frequency stability (ppm)			
	±20 ppm	±25 ppm	±30 ppm	±50 ppm
0°C to 50°C	I20	I25	I30	I50
0°C to 60°C	B20	B25	B30	B50
-10°C to 60°C	D20	D25	D30	D50
0°C to 70°C	C20	C25	C30	STD (Left blank)
-10°C to 70°C	F20	F25	F30	F50
-20°C to 70°C	E20	E25	E30	E50
-40°C to 85°C		L25	L30	L50

ABRACON IS
ISO 9001 / QS 9000
CERTIFIED



Visit www.abracon.com for Terms & Conditions of Sale **Revised (K): 03.11.08**
30332 Esperanza, Rancho Santa Margarita, California 92688
tel 949-546-8000 | fax 949-546-8001 | www.abracon.com

HCMOS/TTL COMPATIBLE VOLTAGE CONTROLLED CRYSTAL OSCILLATOR

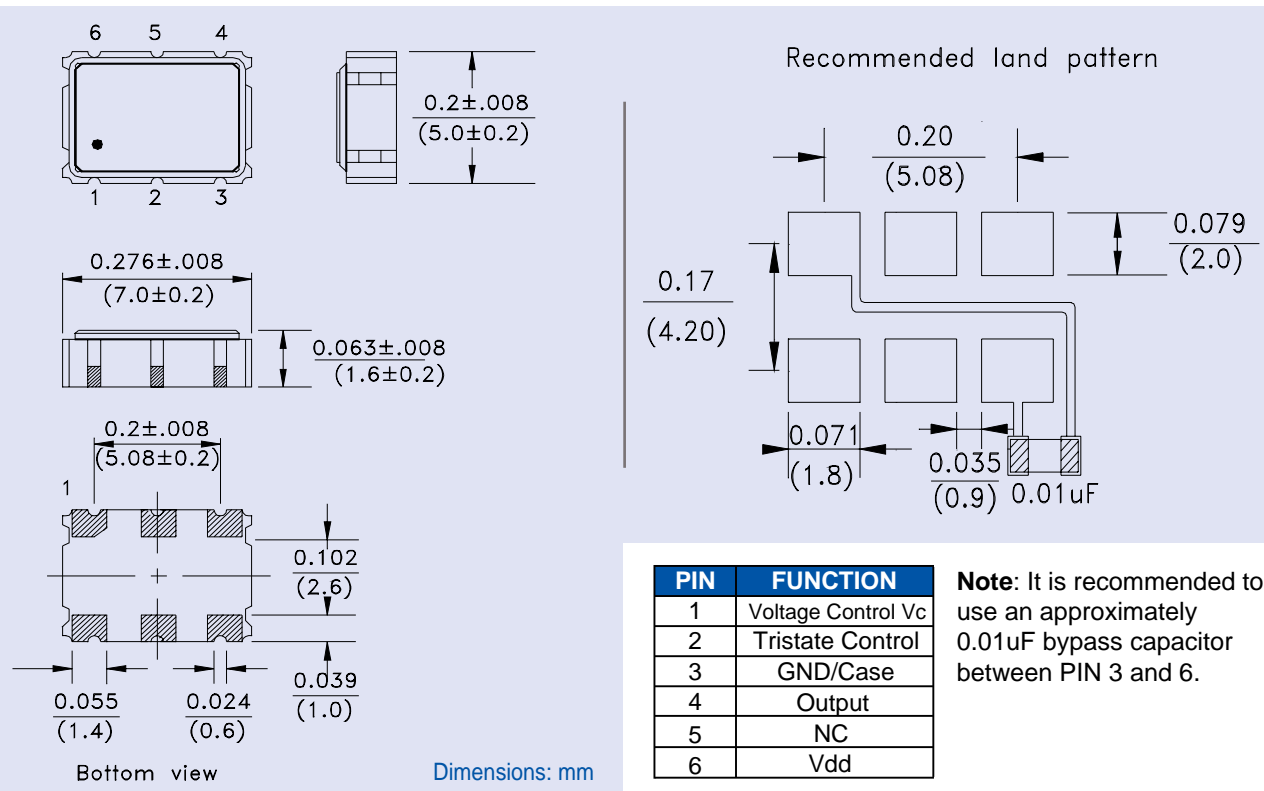


7.0 x 5.0 x 1.6 mm

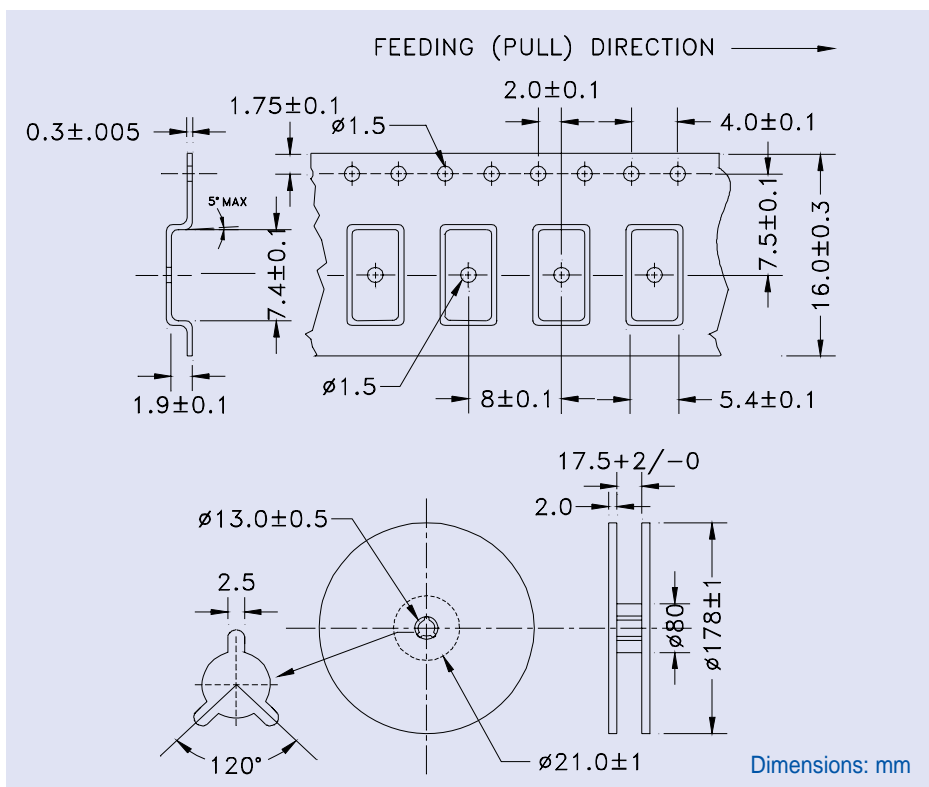
ASVV



OUTLINE DRAWING:



TAPE & REEL: Tape and reel 1,000pcs/reel



ABRACON IS
ISO 9001 / QS 9000
CERTIFIED



Visit www.abracon.com for Terms & Conditions of Sale **Revised (K): 03.11.08**

30332 Esperanza, Rancho Santa Margarita, California 92688

tel 949-546-8000 | fax 949-546-8001 | www.abracon.com